

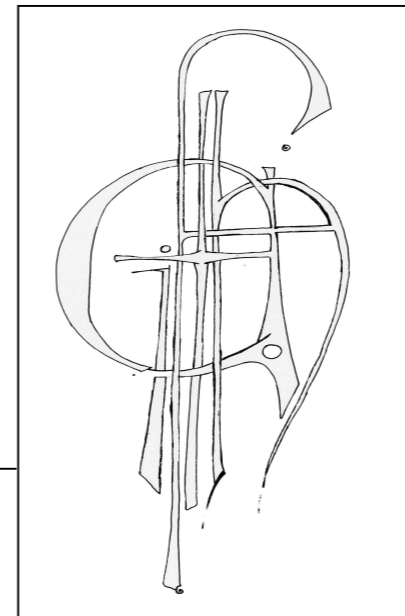
PRAY, LET YOUR MIND WANDER IN GODS CARE, LET YOUR PEN RECORD YOUR THOUGHTS, DOODLE.



WRITE YOUR NAME ON OR NEAR THE WORD LOVE EVERYTIME IT IS USED IN THE PASSAGE.
READ THE PASSAGE AGAIN, USING YOUR NAME INSTEAD OF THE WORD LOVE...

Love IS PATIENT LOVE IS KIND
Love IS NOT ENVIOUS OR BOASTFUL
OR ARROGANT OR RUDE. IT DOES NOT
INSIST ON ITS OWN WAY, IT IS NOT IRRITABLE
OR RESENTFUL IT DOES NOT REJOICE
IN WRONG DOING, BUT REJOICES IN THE TRUTH
IT BEARS ALL THINGS, BELIEVES ALL THINGS
HOPES ALL THINGS, ENDURES ALL THINGS

LOVE NEVER ENDS BUT AS FOR
PROPHECIES THEY WILL COME TO AN
END; AS FOR TONGUES THEY WILL CEASE;
AS FOR KNOWLEDGE, IT WILL COME TO
AN END 1 CORINTHIANS 13 v 4-8th

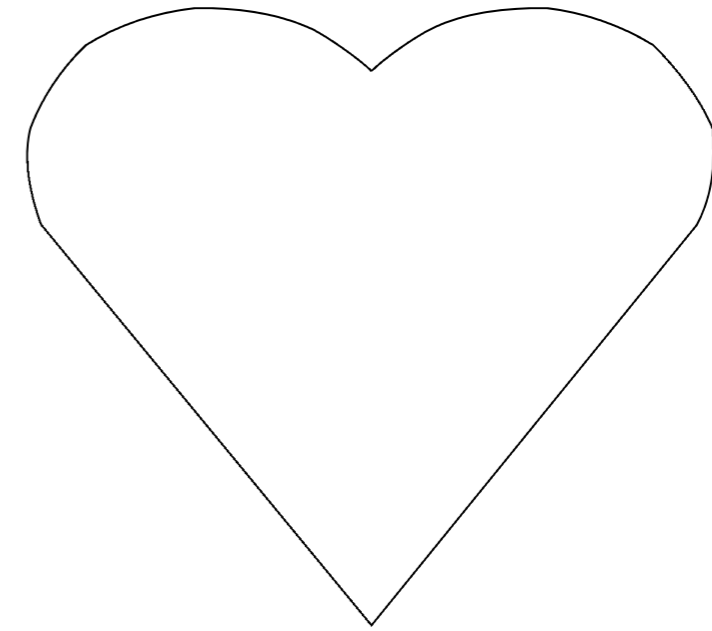


WHAT IS YOUR RELATIONSHIP WITH LOVE?
ARE YOU LOVED? DO YOU LOVE? LIKE THIS?



ARE YOU LOVED?
DO YOU FEEL LOVED?
WHAT CAN GOD DO ABOUT IT?

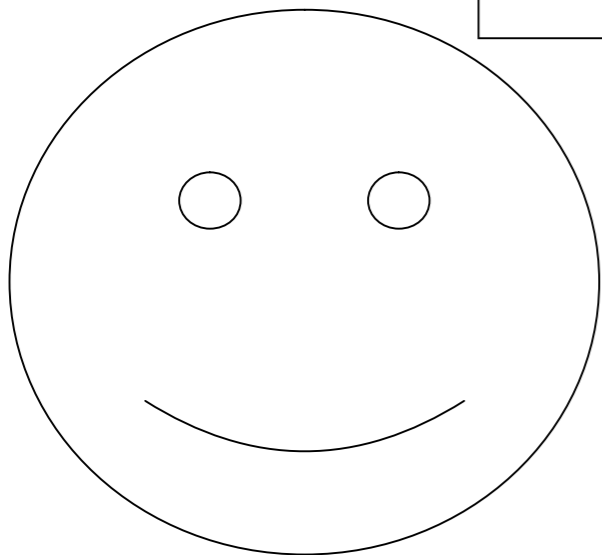
You are
Loved
BY
GOD



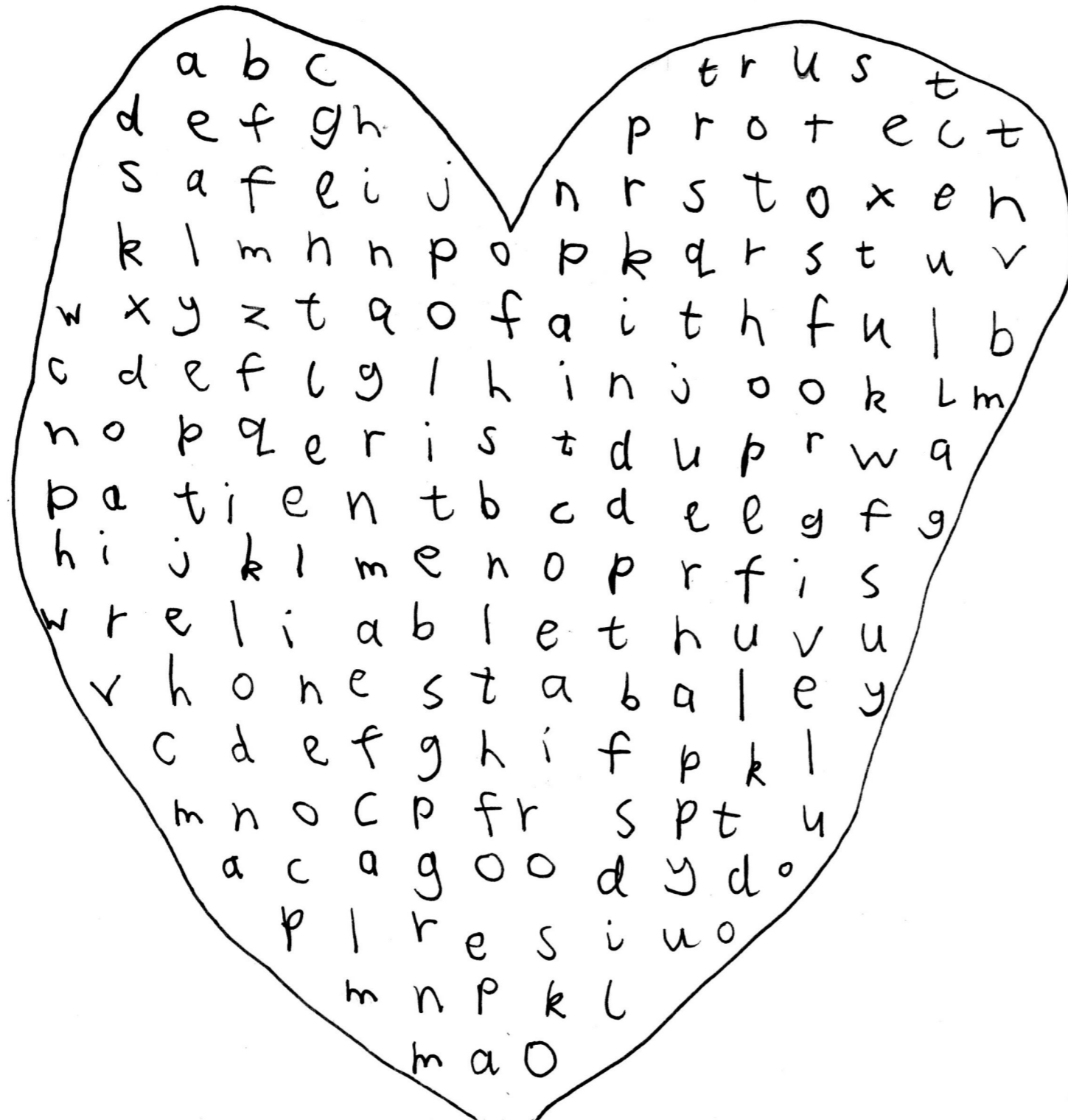
AS JESUS approached the town gate, a dead person was being carried out - the only son of his mother, and she was a widow. And a large crowd from the town was with her. When the Lord saw her, his heart went out to her and he said, "Don't cry."

Then he went up and touched the coffin, and those carrying it stood still. He said "Young man, I say to you, get up!" the dead man sat up and began to talk, and Jesus gave him back to his mother.

Luke 7 11-15



LOVE



Words to find...

- patient
- kind
- good
- gentle
- faithful
- happy
- honest
- calm
- trust
- hopeful
- polite
- reliable
- protect
- safe
- forgive